

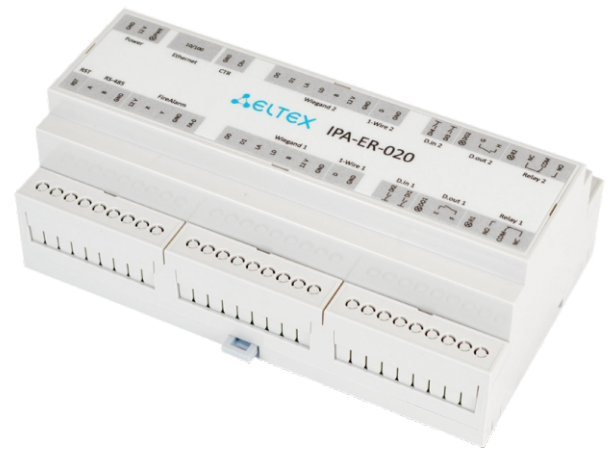
IPA-ER-020 controller is a multifunctional device for interacting with physical access control system via EVI Platform.

PACS features

The authorization can be done by RFID key, pressing the “Exit” button, web interface command and API command. Readers with Wiegand-26, 34, 37, 40, 42, 58 interface can be connected to the controller to receive RFID keys. The device locally stores up to 10,000 keys and a log for 50,000 events.

Form factor

The device has a plastic housing and can be mounted on a DIN rail.



Interfaces

	IPA-ER-020
Ethernet interface	10/100BASE-T
Connection types	Static IP, DHCP
Power relay outputs with COM, N.O., N.C. contacts	2
Digital relay outputs for light loads	2
Wiegand interface (W26, W34, W37, W40, W42, W58 formats)	2
RS-485 interface	1
Digital input for a fire alarm	1
Digital input for connecting the external: button/status button/glass break sensor/water leak sensor/motion sensor/smoke sensor/entry sensor	4
1-Wire interface	2

Features and capabilities

Main technical parameters

- RAM 128 MB
- Flash 32 MB
- OS Linux

Main features

- Up to 10,000 users (keys)
- Up to 50,000 event log entries
- Auto-connection to the EVI access management system
- Access templates
- Access schedule
- Offline access log
- Access modes: service personnel, free exit

- Operation modes: door, two doors, turnstile, barrier, actuator, gate
- Flexible management of predetermined unlocking time
- Manual management of locks
- Real-time clock
- Network update
- Support for fire alarm systems
- Support for security mode
- Open door monitoring
- Door break-in monitoring

Features and capabilities

Support for protocols

- TCP
- DHCP

Indicators

- Power
- Device status
- Data reception and transmission
- Relay status

Connection types

- Static IP
- DHCP

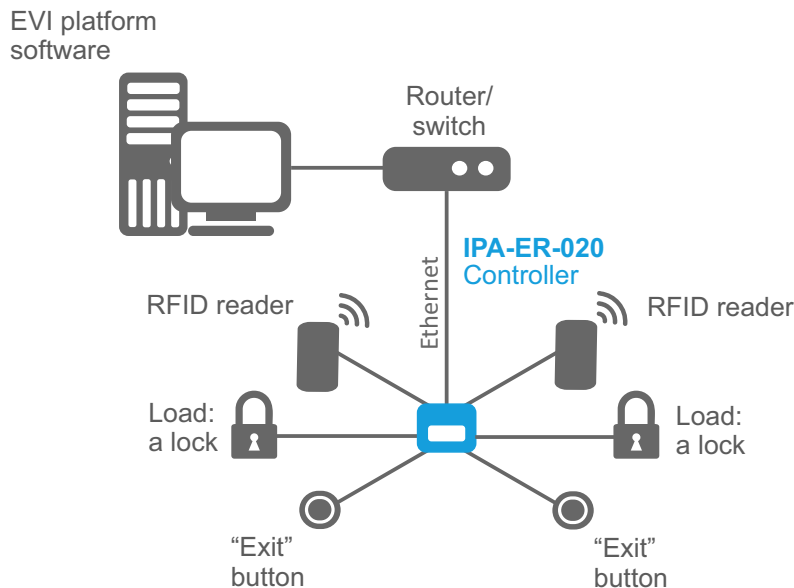
Management

- Via the EVI software platform

Physical specifications

- Power supply voltage: 12 V
- Operating temperature range: from –40 to +60 °C
- Operating humidity: up to 80 % non-condensing
- Form factor: plastic housing, surface mounting, DIN rail mounting
- Dimensions (W × H × D): 159.5 × 57.5 × 90.2 mm
- Weight: 0.302 kg


Use case



Ordering information

Name	Description
IPA-ER-020	IPA-ER-020 controller, 1 Ethernet 10/100BASE-T (RJ-45) port, 2 changeover relays, 4 digital inputs, 12 V

Contact us


+7 (383) 274 10 01
+7 (383) 274 48 48


eltex@eltex-co.ru


www.eltex-co.com

About Eltex

Eltex Enterprise is a leading Russian developer and manufacturer of communication equipment with 30 years of history. Complete solutions and their seamless integrability into the Customer's infrastructure are the priority growth areas of the company